

# MEDUSA BRACKETS AND ACCESSORIES

REVISION 0945



## MAIN FEATURES

Sturdy supports with internal cable channel

Adapters for different installation requirements

Reinforced heater

## DESCRIPTION

### DBH06

Wall bracket with cable management for DBH18 dome, constructed from aluminium and painted with epoxy polyester powder, RAL 9002.

### DBH07

Ceiling/parapet bracket with cable management for DBH18 dome, constructed from aluminium and painted with epoxy polyester powder, RAL 9002.

### DBH08

Linear extension for DBH07 constructed from aluminium and painted with epoxy polyester powder, RAL 9002.

### DBH09

Rotating plate for DBH07 constructed from aluminium and stainless steel.

### PTCC1

Pole mount adapter for DBH06 bracket. It allows the bracket to be firmly attached to the pole. Epoxy polyester powder painted.

### DBHWGC

Pole adapter compatible with DBH06 brackets for dome enclosure installation..

### WCWGC

Corner adapter for DBH06 bracket. It allows the bracket to be firmly attached to the corner. Constructed from steel, the adapter is epoxy polyester powder painted.

### ODBH18K1 - ODBH18K2

Reinforced heater for low temperature applications, IN 115/230Vac, 88W, and 12Vdc/24Vac, 48W. This system, easy to install inside the MEDUSA housing, permits the heat to be uniformly distributed.



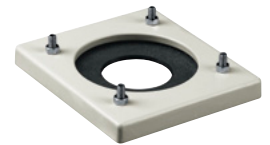
DBH06



DBH07



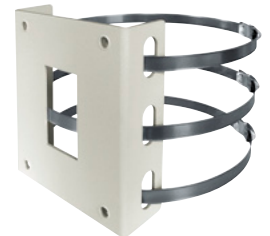
DBH08



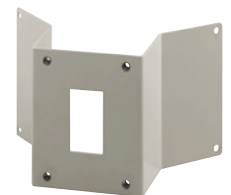
DBH09



PTCC1



DBHWGC



WCWGC

MEDUSA BRACKETS AND ACCESSORIES

TECHNICAL DATA

GENERAL

**DBH06**

Internal cable management  
 Max load: 25kg (55lb)  
 Length: 230mm (9in)

**DBH07**

Internal cable management  
 Max load: 25kg (55lb)  
 Length: 486mm (19,1in)

**DBH08**

Internal cable management  
 Max load: 25kg (55lb)  
 Length: 270mm (10.6in)

**DBH09**

Construction in aluminium and steel  
 Dimensions: 165x185x24mm (6.5x7.3x0.95in)

**PTCC1**

Pole installation, in aluminum  
 Load rating: 50kg (110lb)  
 Pole: Ø 80 - 150mm (3.14 - 5.9in)

**DBHWGC**

Pole installation in steel  
 Max load: 25kg (55lb)  
 Pole diameters 210mm max 225mm (8.2" - 8.85")

**WCWGC**

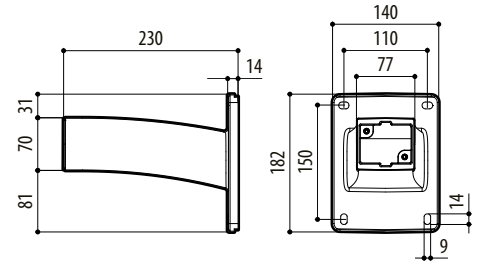
Corner installation  
 Load rating: 50kg (110.2lb)

**HEATER KIT**

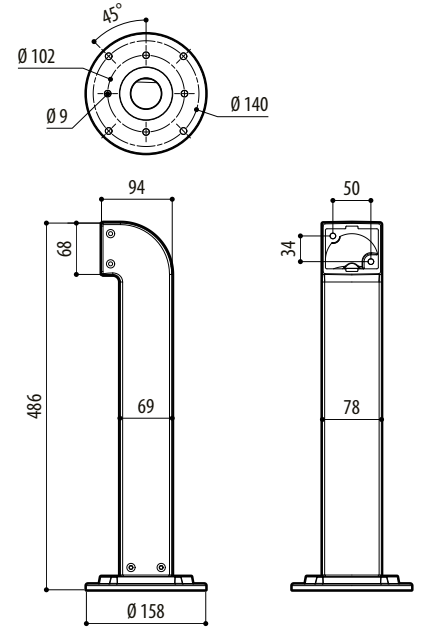
Operating temperature with reinforced heater kit: -30°C / +50°C (-22°F / +122°F)  
 (only with adapters ODBH18H / ODBH18V series and with camera/lens with operating temperature down to -10°C (14°F))

PART NUMBER

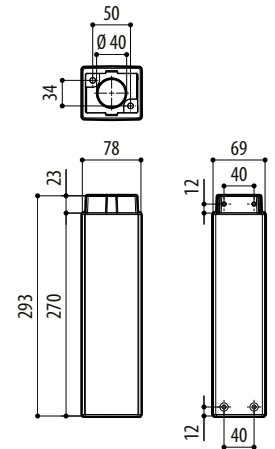
ODBH18K1 Reinforced fan-assisted heater 115/230Vac, 88W  
 ODBH18K2 Reinforced fan-assisted heater 12Vdc/24Vac, 48W



DBH06



DBH07



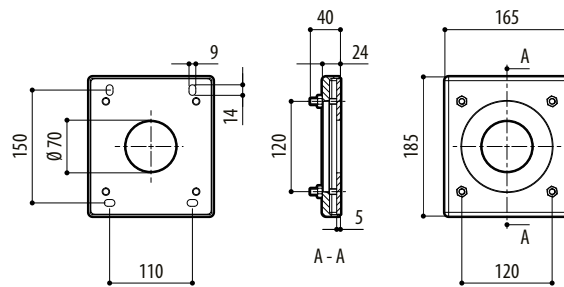
DBH08

mm 1:10

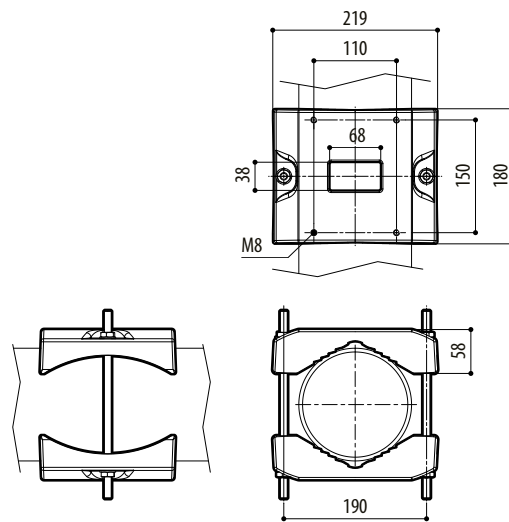
PACKAGE

Code	Unit weight		Package weight		Package dimensions (WxHxL)		Master carton unit
	kg	lb	kg	lb	cm	in	
DBH06	1.3	2.8	1.5	3.3	24.0x16.0x19.5	9.4x6.2x7.6	-
DBH07	2.9	6.4	3.3	7.3	14.5x12.0x34.5	5.7x4.7x13.5	8
DBH08	1.5	3.3	1.6	3.5	19.5x52.5x20.0	7.6x20.6x7.8	-
DBH09	1.6	3.5	1.8	3.9	25.0x25.0x6.5	9.8x9.8x2.5	-

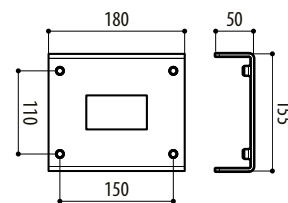
DBH09



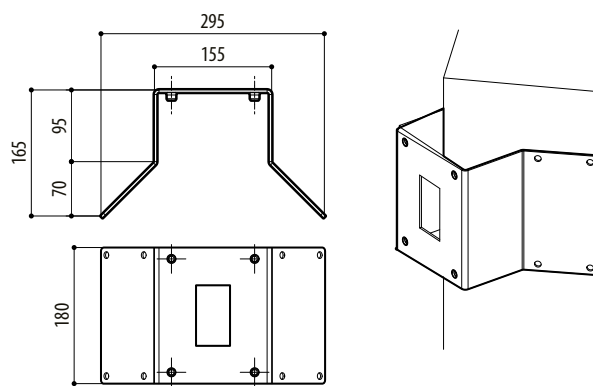
PTCC1



DBHWGC



WCWGC



mm 1:10

## MEDUSA BRACKETS AND ACCESSORIES