

INOX BRACKETS AND ACCESSORIES

REVISION 0945



MAIN FEATURES

Indoor / Outdoor installations

Electropolished stainless steel AISI 316

DESCRIPTION

NXWBS1

Heavy duty bracket with joint, constructed from AISI 316 thick gauge stainless steel. The rotation of the joint along the vertical and horizontal axes allows a wide range of positions. It is particularly suitable for stainless steel weather-proof housings. It can be combined with NXCOL and NXCW pole and corner mount adapters.

NXWBL

Heavy duty wall bracket with joint for NXL housing. Constructed from AISI 316 thick gauge stainless steel. The rotation of the joint along the vertical and horizontal axes allows a wide range of positions. It can be combined with NXCOL and NXCW pole and corner mount adapters.

NXWBPTH1

Heavy duty bracket, constructed from AISI 316 thick gauge stainless steel. It is particularly suitable for stainless steel Pan & Tilt motors. It can be combined with NXCOL and NXCW pole and corner mount adapters.

NXFWBT

Parapet mount for NXPTH P&T serie constructed from AISI 316 thick gauge stainless steel. It can be coupled with the NXWBPTH1 wall bracket.

NXCW

Corner mount adapter, constructed from AISI 316 sheet steel. Suitable for NXWBS1, NXWBL and NXWBPTH1 brackets.

NXCOL

Pole mount adapter, constructed from AISI 316 sheet steel. Suitable for NXWBS1, NXWBL and NXWBPTH1 brackets.

ONXAB2

Flange designed to create an air barrier in front of the glass, preventing the formation of dust deposits. It also attenuates the heat on the housing NXW. It is supplied standard on NXW housing and optional NXM housing.

AVAILABLE MODELS

	NXWBS1	NXWBL	NXWBPTH1	NXFWBT
Housings				
NXJ	•			
NXL		•		
NXM	•			
NXW	•			
P&T's				
NXPTH			•	•
Adapters				
NXCW	•	•	•	
NXCOL	•	•	•	



NXWBS1



NXWBL



NXWBPTH1



NXFWBT



NXCW



NXCOL



ONXAB2

INOX BRACKETS AND ACCESSORIES

NXFIGRU

Air filtering group, to be coupled with ONXAB2, purifies the air drawn from a compressor.

Wiper

Wiper kit which can be directly installed on the housing body. Wiperblade and enclosure constructed from AISI 316 stainless steel. It includes the support for the pump washing injector. Available in 24Vac and 230Vac versions, 7W max. Available for NXM, NXL, NXJ series housings.

Washer and tank

Glass washing kit available with 5 or 23l (1.3 or 6.6gal) tank. The pump is available in 24Vac and 230Vac, and in 230Vac with high delivery, up to 30m (98ft). Available for NXM, NXL, NXJ series housings.

DTWRX

Optional board for wiper and washer remote control of stand-alone housings, via RS485. Compatible only with UPTWAS models.



NXFIGRU



VIP5WAS, VIP23WAS, VIP23WASA01



DTWRX

PACKAGE							
Code	Unit weight		Package weight		Package dimensions (WxHxL)		Master carton
	kg	lb	kg	lb	cm	in	
NXWBS1	2.5	5.5	2.8	6.1	16.0x18.5x46.0	6.2x7.2x18.0	8
NXWBL	5.5	12.1	5.6	12.4	19.0x16.0x60.0	7.5x6.3x23.6	-
NXCW	1.2	2.6	1.3	2.8	24.0x32.0x24.5	9.4x12.6x9.6	6
NXCOL	3.3	7.2	3.5	7.7	14.0x25.5x20.0	5.5x10.0x7.8	10
NXWBPTH1	4.8	10.6	4.8	10.5	16.0x18.5x46.0	6.2x7.2x18.1	8
NXFWBT	0.9	1.8	1.0	2.2	10.0x16.0x23.0	3.9x6.3x9.0	-
ONXAB2	1.6	3.5	1.8	3.9	14.0x25.5x20.0	5.5x10.0x7.8	-
NXFIGRU	2.5	5.5	3.0	6.6	34.5x24.0x15.5	13.8x9.5x6.1	-
VIP5WAS	3.2	7.0	3.7	8.1	31.0x23.5x31.0	12.2x9.3x12.2	-
VIP23WAS	5.1	11.2	6.1	13.4	39.0x33.0x56.0	15.4x13.0x22.0	-
VIP23WASA01	13.3	29.3	14.6	32.2	35.5x45.0x80.0	14.0x17.7x31.5	-
UPTWASA01C	13.5	29.8	15.5	34.2	35.5x45.0x80.0	14.0x17.7x31.5	-

INOX BRACKETS AND ACCESSORIES

TECHNICAL DATA

GENERAL

Entirely constructed from electropolished AISI 316 stainless steel

MECHANICAL

NXWBS1

Wall installation or on modular adapters

Ball joint inclination: horizontal -95° / +95°, vertical -90° / 0°

Length: 370mm (14.5in)

Load rating: 45kg (99lb)

NXWBL

Wall installation or on modular adapters

Load rating: 70kg (154lb)

Length: 596mm (23.5in)

NXCW

Corner installation

Load rating: 50kg (110lb)

Dimensions: 180x291mm (7x11.5in)

NXCOL

Pole Ø 110-150mm (4.3-5.9in) installation

Load rating: 50kg (110lb)

Dimensions: 180x196mm (7.0x7.7in)

NXWBPTH1

Wall installation or on modular adapters

Load rating: 70kg (154lb)

Length: 596mm (23.5in)

NXFWBT

Parapet installation or on NXWBPTH1 wall bracket

Load rating: 70kg (154lb)

Height: 124mm (4.9in)

ONXAB2 - ONXAB1025B

Standard on NXW housing and optional NXM housing

Dimensions Ø 154x21mm (6x0.8in)

Male input 1/2" GAS

Max pressure 2.5 Bar, application example:

- air pressure 1 Bar, consumption 7m³/h
- air pressure 1.5 Bar, consumption 10m³/h
- air pressure 2 Bar, consumption 12m³/h
- air pressure 2.5 Bar, consumption 14m³/h

NXFIGRU

3 filters in cascade (20micron, 5micron, 0.1micron)

Dimensions: 227x275x104mm (8.9x10.8x4in)

Female input and output: 1/2" GAS

Suggested pressure: 0.3-2.5 Bar

Filtering: 0.1 micron

WIPER

Wiperblade and enclosure constructed from AISI 316 stainless steel

Dimensions (ØxL): 100x169mm (3.9x6.6in), not comprehensive of blade

Connector 3+1 pins

IN 230Vac, consumption 7W max

IN 24Vac, consumption 7W max

WASHER PUMP AND TANK OF 5L (1,3GAL)

Dimensions (WxHxL): 217x272x254mm (8.5x10.7x10.0in)

Tank capacity: 5l (1.3gal)

Delivery head: max 5m (16ft); tube length: 4m (13ft)

IN 230Vac, consumption 12W max

IN 24Vac, consumption 12W max

IP56

WASHER PUMP AND TANK OF 23L (6GAL)

Dimensions (WxHxL): 301x410x347,5mm (11.8x16x13.7in)

Tank capacity: 23l (6gal)

Delivery head: max 5m (16ft); tube length: 4m (13ft)

IN 230Vac, consumption 12W max

IN 24Vac, consumption 12W max

IP56

WASHER PUMP AND TANK OF 23L (6GAL), WITH HIGH DELIVERY UP TO 30M (98FT)

Dimensions (WxHxL): 301x635x269mm (11.8x25x10.6in)

Tank capacity: 23l (6gal)

Delivery head: max 30m (98ft); tube length: 30m (98ft)

IN 230Vac, consumption 600W max

Max operating temperature: 60°C (140°F)

IP45

BOARD FOR REMOTE CONTROL OF WIPER AND WASHER

2 functions: WIPER, WASHER

32 selectable address through Dip Switch

Serial input RS485

LED indicating stand-by status

LED indicating command reception

External dimensions: 43x56x13mm (1.8x2.2x0.5in)

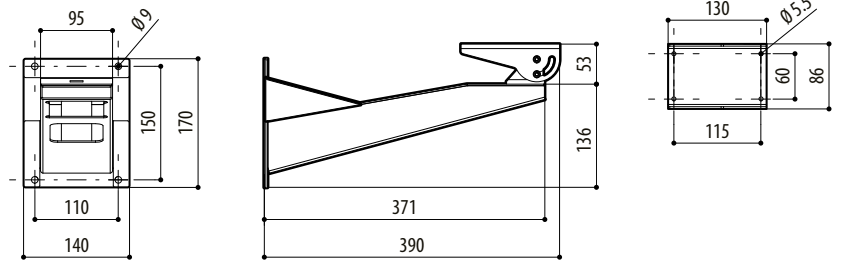
ENVIRONMENT

Indoor / Outdoor

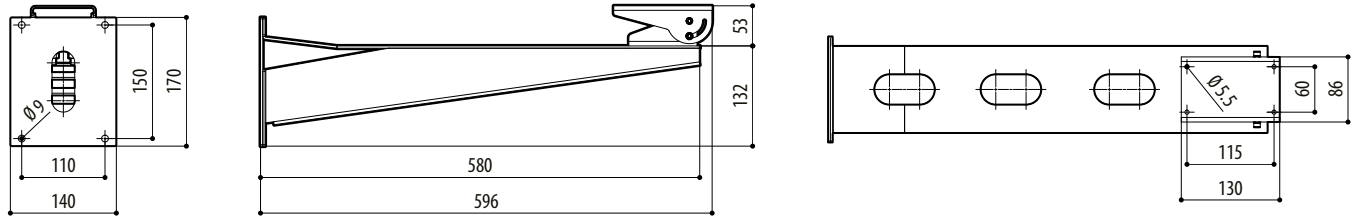
PART NUMBER

VIP5WAS01	Tank 5l (1,3gal), 230Vac washer pump
VIP5WAS02	Tank 5l (1,3gal), 24Vac washer pump
VIP23WAS01	Tank 23l (6gal), 230Vac washer pump
VIP23WAS02	Tank 23l (6gal), 24Vac washer pump
VIP23WASA01	Tank 23l (6gal), 230Vac washer pump, high delivery up 30m (98ft)
UPTWAS01C	Tank 23l (6gal), IN 230Vac washer pump (prearranged for DTWRX board)
UPTWAS02C	Tank 23l (6gal), IN 24Vac washer pump (prearranged for DTWRX board)
UPTWASA01C	Tank 23l (6gal), IN 230Vac washer pump, high delivery up 30m (98ft) (prearranged for DTWRX board)
VIPNX1C	Stainless steel wiper 230Vac for NXM
VIPNX2C	Stainless steel wiper 24Vac for NXM
VIPNXL1B	Stainless steel wiper 230Vac for NXL
VIPNXL2B	Stainless steel wiper 24Vac for NXL
VIPNXJ1C	Stainless steel wiper 230Vac for NXJ
VIPNXJ2C	Stainless steel wiper 24Vac for NXJ
DTWRX	Optional board for remote control of wiper and washer pump of the UPTWAS series

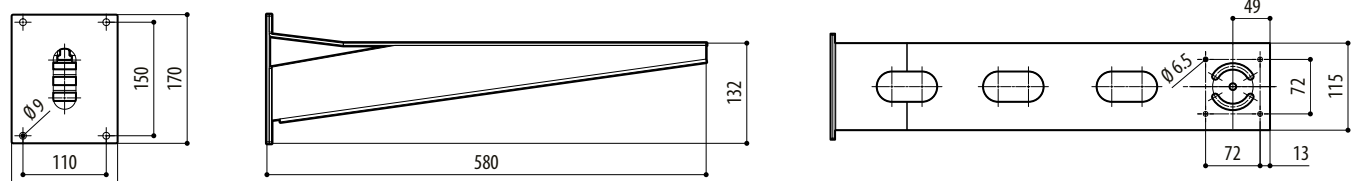
INOX BRACKETS AND ACCESSORIES



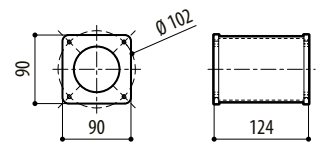
NXWBS1



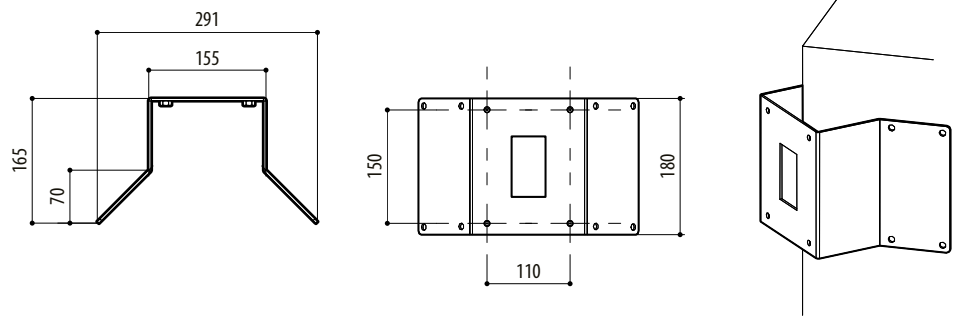
NXWBL



NXWBPTH1

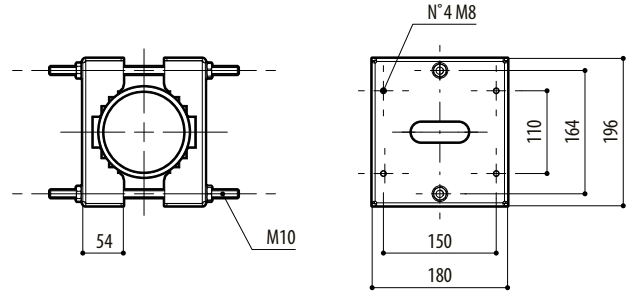


NXFWBT

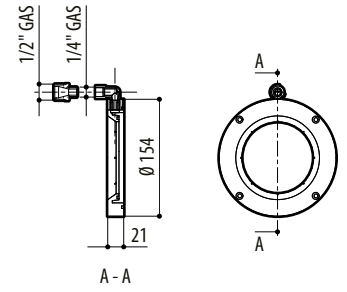


NXCW

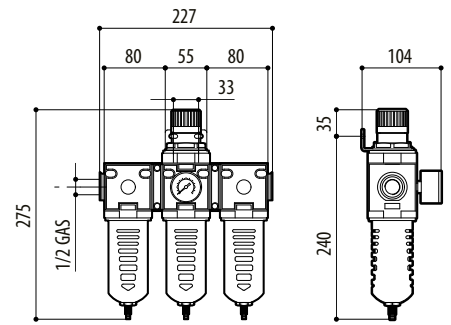
mm 1:10



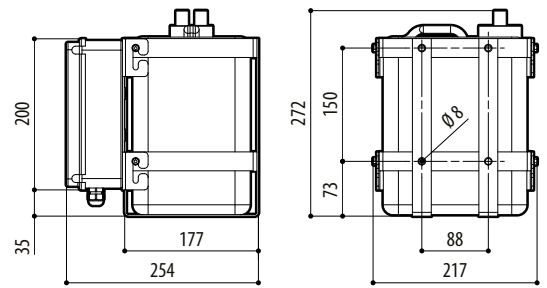
NXCOL



ONXAB



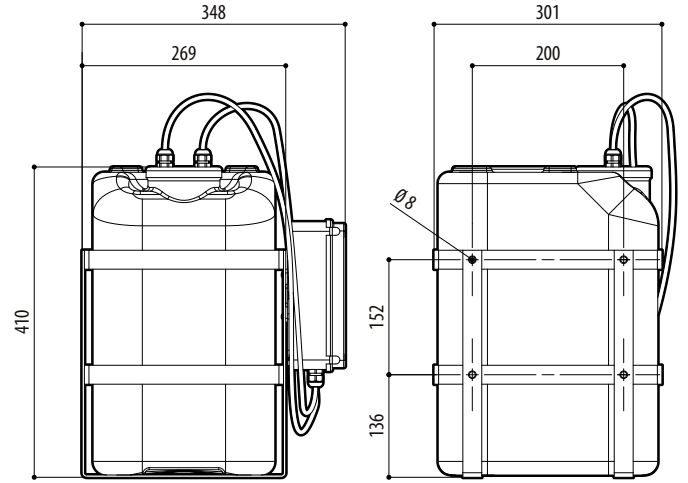
NXFIGRU



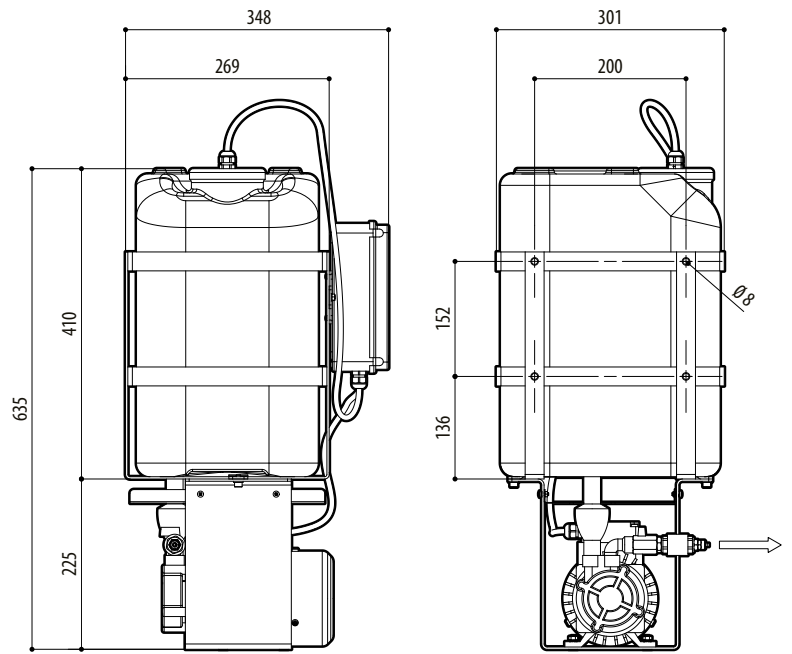
VIPSWAS

mm 1:10

INOX BRACKETS AND ACCESSORIES



VIP23WAS01



VIP23WASA01

mm 1:10