

ULISSE IR360

UNIT FOR DAY AND NIGHT SURVEILLANCE WITH CONTINUOUS ROTATION

REVISION 1104



MAIN FEATURES

Integrated housing, P&T head and telemetry receiver

Bracket for two VIDEOTECH infrared LED illuminators for the night surveillance without rotating cables (illuminators not included)

Continuous horizontal rotation

Available with 28x and 36x camera and with wiper

IP66

Variable speed: 0.1°-40°/s Pan and 0.1°-30°/s Tilt

Configuration through OSD (On Screen Display)

Multiprotocol

DESCRIPTION

ULISSE IR360 has been specifically created for applications of day/night video surveillance in external environments. This positioning system integrates a high performance P&T head with housing, telemetry receiver and a bracket for two infrared LED illuminators (not included) without external rotating cables.

The rotation on the horizontal axis is continuous with a variable speed up to 40°/s while the amplitude on the vertical axis varies from +90° to -40° with a max speed of 30°/s. ULISSE IR360 controls the functions of autopan and patrol with a tracking accuracy of 0.02° on preset positions recall.

In addition to the OSD set-up, the system is equipped with an RS232 interface allowing the possibility to update to the latest firmware version. The positioning system is controlled through a RS485/RS422. The telemetry signal can be transmitted in an active way for chain configuration of several ULISSE IR360 units together. Multiple communication protocols are embedded.

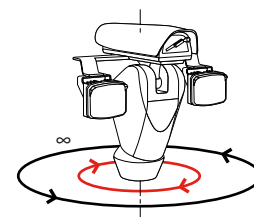
Available versions with SONY block camera combining an incredible 36x or 28x optical zoom, with integrated wiper and with integrated video server for IP control of the PTZ functions.

The ULISSE IR360 is designed to work only with the illuminators of the VIDEOTECH IRBD-series and DERWENT UFLED series.

The positioning unit can be used in: coast and border patrol, harbour control, urban settings, highway and traffic monitoring, stadiums, industries, prisons or military applications, and perimeter surveillance.



ULISSE IR360 + IRBD (ILLUMINATORS NOT INCLUDED)



CONTINUOUS ROTATION - NO ROTATING CABLES

→ FOR ALL AVAILABLE VERSIONS: CHART 165

AVAILABLE MODELS						
Code	PAL block camera 28X	NTSC block camera 28X	PAL block camera 36X	NTSC block camera 36X	Power supply 24Vac	Wiper
UPT2SVQA000E					•	
UPT2PVQA000E			•		•	
UPT2NVQA000E				•	•	
UPT2SVUA000E					•	•
UPT2PVUA000E			•		•	•
UPT2NVUA000E				•	•	•
UPT2QVQA000E	•				•	
UPT2MVQA000E		•			•	
UPT2QVUA000E	•				•	•
UPT2MVUA000E		•			•	•

TECHNICAL DATA

GENERAL

Built in aluminium and ABS
 Epoxypolyester powder painting, RAL9002 colour
 Top mount (OTT)
 Transmission through toothed belt
 Slip-ring
 Plug installation thanks to connector and easy replacement on-site
 Zero backlash
 Supplied with instruction manual
 The system is designed only for the mounting of the following IR LED illuminators (not included):

- VIDEOTEC IRBD series
- DERWENT UFLED

MECHANICAL

3 cable glands M16
 Horizontal continuous rotation
 Vertical rotation from +90° to -40°
 Variable pan speed: from 0.1°/s up to 40°/s
 Variable tilt speed: from 0.1°/s up to 30°/s
 Internal usable area: see drawings
 Glass window (WxH): 118x75mm (4.6x2.9in)
 Preset accuracy: 0.02°

ELECTRICAL/VIDEO

Input voltage: 24Vac, 50/60Hz, 150-190W max*
 * Power consumption will vary over the time due to the intelligent IR's optical output control which compensate for LED degradation and ambient temperature fluctuations.
 Absorbed current: 24Vac, 8A
 Dimensions of input cables: AWG 16-19
 Dimensions of signal cables: AWG 20-26
 Housing standard heater 24Vac, 20W max
 Alarm input: 10-35Vdc
 1 NO powered input for IRs switching synchronization
 Dry contacts: max 50Vdc or 30Vac @ 1A
 Video line: coaxial cable (1Vpp, 750hm)
 Camera power supply: 12Vdc, 800mA
 Lens power supply: 6-15Vdc, max 200mA
 Illuminators supply: 2A+2A max at 24Vac
 Only for polarity inversion lenses
 Autopan, Preset, Patrol
 250 max preset selectable (VIDEOTEC MACRO Protocol)
 16 characters string for Area and Preset titling

COMMUNICATIONS

Configuration through OSD
 RS232 interface for PC control set-up and firmware upgrade
 2 RS485 ports for daisy chain configuration
 Addressable through dip-switch up 255 units

PROTOCOLS

AMERICAN DYNAMICS, PELCO D, VIDEOTEC MACRO, VISTA
 AMERICAN DYNAMICS, PELCO, VISTA are registered trademarks.
 The product may be interfaced with devices not manufactured by VIDEOTEC. It is possible that the interface protocols have changed or are in a different configuration from earlier tested units by VIDEOTEC. VIDEOTEC recommends a test prior to installation. VIDEOTEC will not be liable for any installation costs or lost revenues in the event a compatibility problem will occur.

ENVIRONMENT

Indoor / Outdoor
 Operating temperature with heater, without block camera: -20°C / +60°C (-4°F / +140°F)
 Operating temperature with heater, with block camera: -20°C / +50°C (-4°F / +122°F)
 Wind resistance

- Operational up to 160km/h (100mph)
- Withstands up to 210km/h (130mph)

Resistant to salty fog (EN50130-5 and EN60068-2-52)
 Surge immunity: up to 2KV line to line, up to 4KV line to earth (Class 4)

ULISSE IR360

CERTIFICATIONS

CE EN60950-1, EN61000-6-3 and EN50130-4
FCC part 15, Class B
IP66 EN60529
UL listed
UL Canadian Safety Standards listed
NEMA 4X

ACCESSORIES

IR10BD	Infrared LED illuminator 10° 12-24Vac/dc
IR30BD	Infrared LED illuminator 30°, 12-24Vac/dc
IR60BD	Infrared LED illuminator 60°, 12-24Vac/dc
UPTIRPS230	Power supply and control IN 230VAC in weatherproof box for ULISSE models with bracket for continuous rotation of IR illuminators. Photocell included.
UPTIRPS120	Power supply and control IN 120VAC in weatherproof box for ULISSE models with bracket for continuous rotation of IR illuminators. Photocell included.
UPTJBUL	Junction weatherproof box for cables connexion (according UL norm)
UPT5WAS01C	Tank 5l (1,3gal) 230Vac washer pump
UPT5WAS02C	Tank 5l (1,3gal) 24Vac washer pump
UPTWAS01C	Tank 23l (6gal), IN 230Vac washer pump
UPTWAS02C	Tank 23l (6gal), IN 24Vac washer pump
UPTWAS03C	Tank 23l (6gal), IN 120Vac washer pump
UPTWASM	Tank 23l, washer pump 230Vac-24Vac or 120Vac, delivery up 11m (36ft)
UPTWASA01C	Tank 23l (6gal), IN 230Vac washer pump, high delivery up 30m (98ft)
UPTWASA03C	Tank 23l (6gal), IN 120Vac washer pump, high delivery up 30m (98ft)

BRACKETS AND ADAPTORS

UPTWBA	Wall bracket with internal cable channel
UPTWBTA	Parapet bracket with internal cable channel
PTCC1	Pole mount adapter for UPTWBA
WCWGC	Corner adapter for UPTWBA

RELATED PRODUCTS

ALBERT	Unit for the intelligent digital video content analysis
SM42A-SM82A	Matrix 4/8 inputs and 2 outputs
SM84B-SM164B	Matrix 8/16 inputs and 4 outputs
SM328B	Matrix 32 inputs and 8 outputs
DCJ	Keyboard to control matrix, multiplexers and telemetry equipped with three axis joystick
DCT	Touch screen keyboard to control matrix, multiplexers, DVRs and telemetry equipped with three axis joystick

PACKAGE							
Code	Unit weight		Package weight		Package dimensions (WxHxL)		Master carton
	kg	lb	kg	lb	cm	in	unit
UPT2SVQA000C	16.8	37.0	20.0	44.1	66.0x33.0x57.0	26.0x13.0x22.5	-
UPT2PVQA000C	16.8	37.0	20.0	44.1	66.0x33.0x57.0	26.0x13.0x22.5	-
UPT2SVUA000C	17.3	38.1	20.5	45.2	66.0x33.0x57.0	26.0x13.0x22.5	-
UPT2PVUA000C	17.3	38.1	20.5	45.2	66.0x33.0x57.0	26.0x13.0x22.5	-

ULISSE IR360

AVAILABLE CAMERAS				
	SONY Day/Night 36x		SONY Day/Night 28x High sensitivity	
	PAL	NTSC	PAL	NTSC
Optical zoom	36x		28x	
Wide Dynamic Range (Fix/Auto)	•		-	
Progressive SCAN	•		-	
Digital image stabilisation	•		•	
White balance	Auto, ATW, Indoor, Outdoor (Fix/Auto), Sodium Vapor Lamp (Fix/Auto)		Auto, ATW, Indoor, Outdoor (Fix/Auto), Sodium Vapor Lamp (Fix/Auto)	
High horizontal resolution	Up to 550 TV Lines		Up to 550 TV Lines	
Day-Night (Auto ICR)			•	
Image Sensor	1/4" EXView HAD CCD		1/4" Super HAD CCD II	
Number of effective Pixels	~ 440000 pixel	~ 380000 pixel	~ 440000 pixel	~ 380000 pixel
Min. night Illumination (ICR ON) (typical)	0.01 Lux / 1/3s	0.01 Lux / 1/4s	0.0015 Lux / 1/3s	0.0015 Lux / 1/4s
Min. day Illumination (ICR OFF) (typical)	0.1 Lux / 1/3s	0.1 Lux / 1/4s	0.16 Lux / 1/3s	0.16 Lux / 1/4s
"Shutter Time" automatic increase to improve the night surveillance			•	
S/N ratio	More than 50dB			
AE control	Auto, Shutter priority, Diaphragm priority, Brightness priority and Manual			
Back Light Compensation			On/Off	
Spherical masking (3D) of Privacy zones with automatic upgrade			•	
Privacy Zone Masking			On/Off (24 positions)	
Maximum number of masking blocks to be displayed			8	
Resolution of masking blocks			160x120 HxV	
Masking	Up to 15 different masking types: 14 colour types or mosaic			
Focusing System	Auto (Sensitivity: Normal, Low), Trigger PTZ, Manual			
"Smart" Lens Control	SONY Modular Automatic Lens Reset Technology			
High Zoom and Wide Horizontal Field of View Capability	•		•	
Optical Zoom	36x, f=3.4 (wide) to 122.4mm (tele) / F1.6 to F4.5		28x, f=3.5 (wide) to 98mm (tele) / F1.35 to F3.7	
Digital Zoom	12x (432x with optical zoom)		12x (336x with optical zoom)	
Angle of View (A)	57.8 degrees (wide) to 1.7 degrees (tele)		55.8 degrees (wide) to 2.1 degrees (tele)	
Min. Object Distance	320mm (wide) to 1500mm (tele)		10mm (wide) to 1500mm (tele)	
Electronic Shutter Speed			1/1 ÷ 1/10000s	

SONY is a registered trademark of SONY Corporation, Japan. EXview HAD is a registered trademark of SONY Corporation.

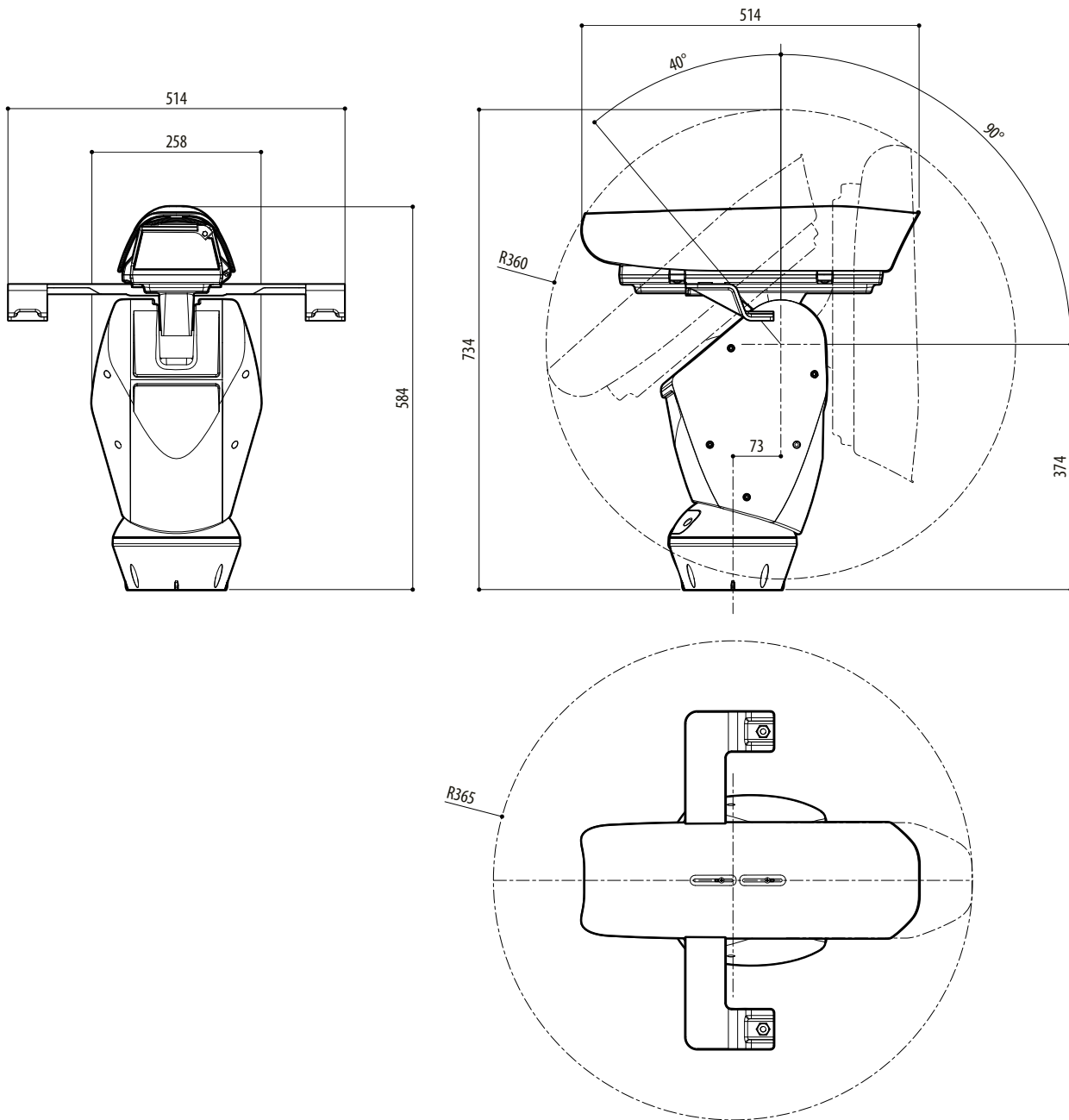
ULISSE IR WITH SONY 36X MODULE: DISTANCES IN NIGHT MODE			
Application	Configuration *	Night Mode + ASS **	HFOV *** (ASS)
Far away objects, perimeter surveillance	IRBD10 + IRBD10	120m	20m
Areas nearby, car parks, access control	IRBD30 + IRBD30	60m	32m
	IRBD60 + IRBD60	40m	46m
Mixed solutions	IRBD10 + IRBD30	105m	18m
	IRBD30 + IRBD60	50m	26m

* To guarantee the specified performance, the two illuminators must be aligned correctly.

** ASS: set for auto slow shutter mode.

*** HFOV - Horizontal Field of View: width of illuminated area at maximum viewing distance.

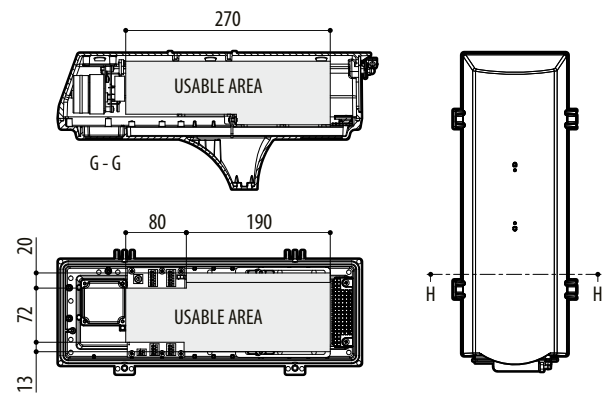
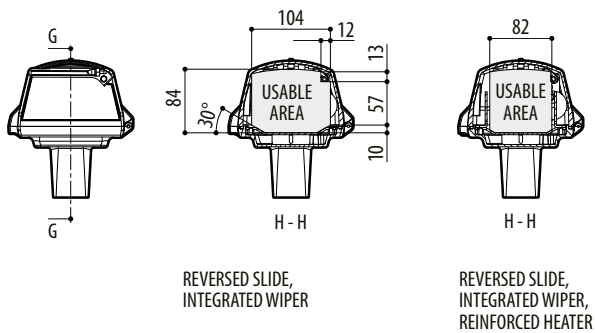
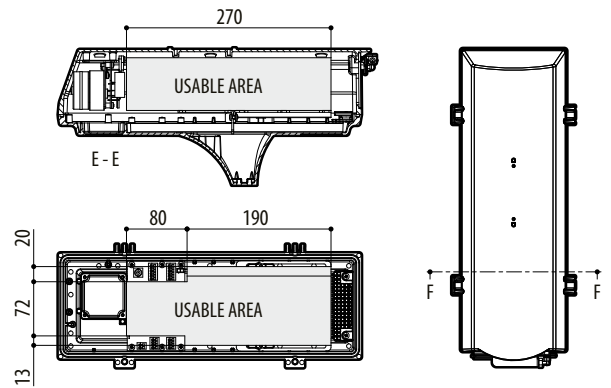
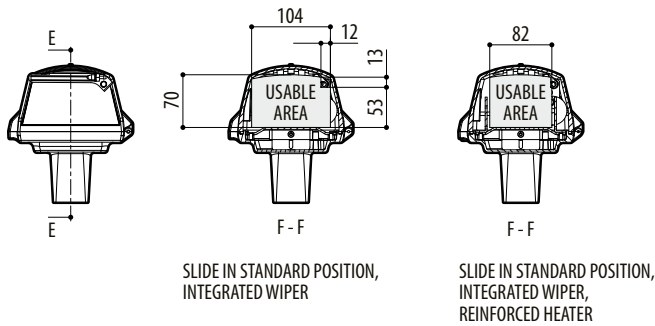
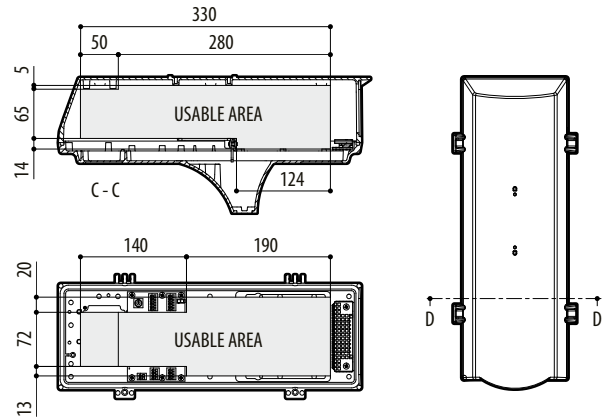
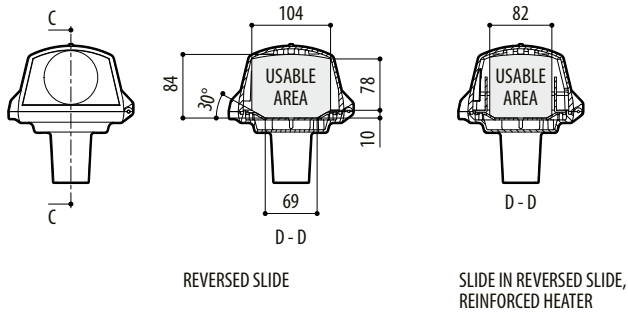
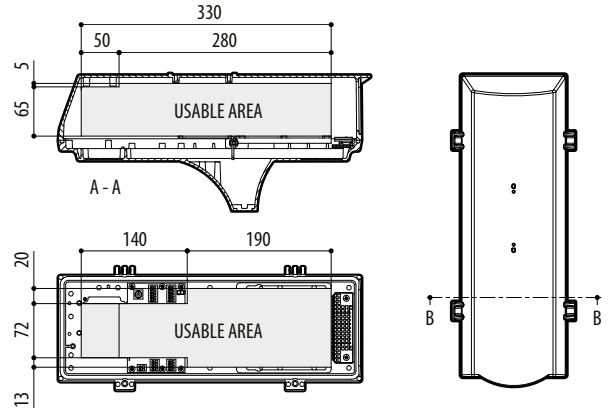
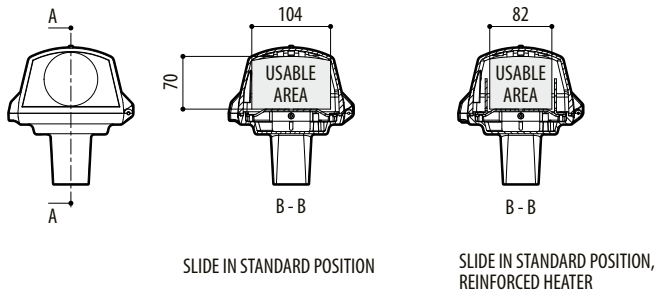
Distances are expressed in metres and refer to viewing in night mode with an image of sufficient quality to be able to identify and classify an abnormal situation and the type of object in the field of view of the pan & tilt. The distances also depend on the reflection coefficient of the surfaces present on the illuminated scene.



ULISSE IR360

mm 1:10

ULISSE IR360



HOUSING

mm 1:10