

# ULISSE SUPPORTS AND ACCESSORIES

REVISION 0945



## MAIN FEATURES

Sturdy supports with internal cable channel

Adapters for different installation requirements

Washer pumps and water tanks in different versions

Reinforced heaters

## DESCRIPTION

### UPTWBA

Wall bracket with internal cable management constructed from aluminium and painted with powder. It can be combined with pole or corner mount adapters allowing for installation on several surfaces.

### UPTWBTA

Parapet bracket with internal cable management constructed from aluminium and painted with powder.

### Washer pumps for wiper with 23l (6gal) tank

Available in 230Vac (UPTWAS01C) or 24Vac (UPTWAS02C). The standard pump guarantees a delivery up to max 5m (16ft), while the version with the high delivery (UPTWASA01C) up to 30m (98ft). It is possible to adjust the articulated nozzle of the pump associating it to a preset in order to obtain the desired position of the wiper and sprinkle functions. The pumps, equipped with relay, allow the direct connection to ULISSE. Further, in the high delivery version, the lack of liquid in the tank is signalled to the operator with the stop of the pump itself.

### UPTIRPS230 Power supply for ULISSE IR360

Power supply and control IN 230VAC in weatherproof box for ULISSE IR360. Photocell included.

### UPTJBUL Junction box (UL norm)

Junction weatherproof box for the power connexion, external to the ULISSE unit (according to the UL norm).

### UPTHT1 – UPTHT2

Reinforced heater for low temperature applications. This system, easy to install inside the integrated ULISSE housing, permits the heat to be uniformly distributed. On versions with motorised lens (UPTHT1), the correct working at  $-30^{\circ}\text{C}$  ( $-22^{\circ}\text{F}$ ) is assured with lens guaranteed with operating temperature  $-20^{\circ}\text{C}$  ( $-4^{\circ}\text{F}$ ). For the versions with block camera SONY (UPTHT2), the operating lowest temperature of ULISSE goes down to  $-30^{\circ}\text{C}$  ( $-22^{\circ}\text{F}$ ).



UPTWBA



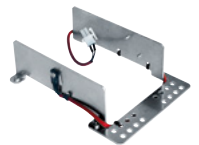
UPTWBTA



UPTWAS



UPTWASA01C



UPTHT1



UPTHT2

## ULISSE SUPPORTS AND ACCESSORIES

## TECHNICAL DATA

## GENERAL

## SUPPORTS

Constructed from aluminium

Epoxypolyester powder painting, RAL9002 colour

**WASHER PUMP AND TANK 23L (6GAL)**

Dimensions (WxHxL): 301x410x347.5mm (11.8x16x13.7in)

Tank capacity: 23l (6gal)

Delivery head: max 5m (16ft)

Tube length: 4m (13ft)

IN 230Vac, consumption 12W max

IN 24Vac, consumption 12W max

IP56

Supplied with instruction manual and antifreezing liquid

**WASHER PUMP AND TANK OF 23L WITH HIGH DELIVERY UP TO 30M**

Dimensions (WxHxL): 301x635x347.5mm (11.8x25x13.7in)

Tank capacity: 23l (6gal)

Delivery head: max 30m (98ft)

Tube length: 30m (98ft)

IN 230Vac, consumption 600W max

Max operating temperature: 60°C (140°F)

IP45

Supplied with instruction manual and antifreezing liquid

**POWER SUPPLY FOR ULISSE IR360**

Plastic box, colour RAL 7035

Dimensions: 225x280x167mm (8.9x11x6.6in)

IN 230Vac, 50/60Hz - OUT 24Vdc, 8A

Consumption: 200W (powering two spots on maximum power)

Built-in photocell for automatic ON/OFF operation

Day/Night (STATUS) output: energised control 30Vdc -10mA (high when on)

Cable dimensions: AWG 16 – 30 (0.5mm<sup>2</sup>- 1.5mm<sup>2</sup>)

Indoor / Outdoor IP56

Operating Temperature: -25°C / +60°C (-13°F / +140°F)

**UPTJBUL JUNCTION BOX (UL NORM)**

Box in aluminium

Cables dimensions: up to 2.5mm<sup>2</sup> (AWG 22-12)

Box dimensions: 193x169x82mm (7.6x6.6x3.2in)

Compliance to: NEMA 4x

Indoor / Outdoor

Operating Temperature: -25°C / +60°C (-13°F / +140°F)

## HEATER KIT

Reinforced heater for generic lens/camera (UPTHT1): IN 24Vac, consumption 30W

Reinforced heater for block camera SONY (UPTHT2): IN 24Vac, consumption 30W

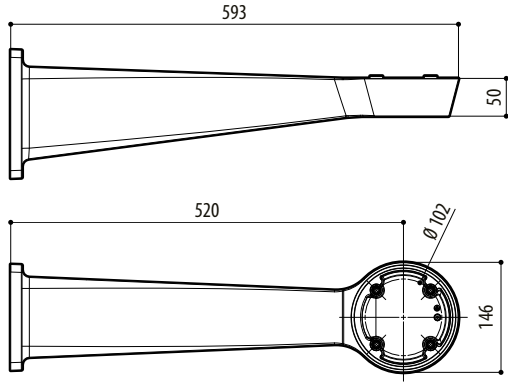
## PART NUMBER

UPTHT1	Reinforced heater for generic lens/camera 24Vac, 30W
UPTHT2	Reinforced heater for block camera SONY 24Vac, 30W
UPTWBA	Wall bracket with internal cable channel
UPTWBTA	Parapet bracket with internal cable channel
PTCC1	Pole mount adapter
WCWGC	Corner adapter
UPTIRPS230	Power supply and control IN 230VAC in weatherproof box, photocell included (only ULISSE IR360)
UPTJBUL	Junction weatherproof box for cables connexion (according UL norm)
UPTWAS01C	Tank 23l (6gal), 230Vac washer pump
UPTWAS02C	Tank 23l (6gal), 24Vac washer pump
UPTWASA01C	Tank 23l (6gal), 230Vac washer pump, high delivery up 30m (98ft)

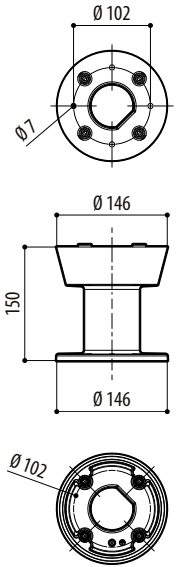
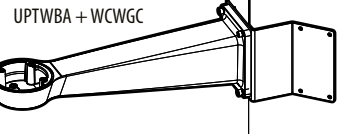
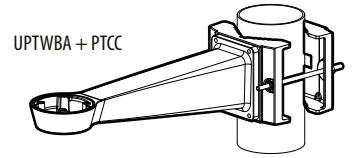
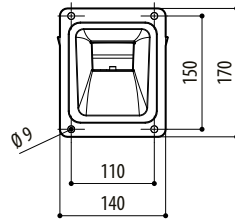
## PACKAGE

Code	Unit weight		Package weight		Package dimensions (WxHxL)		Master carton unit
	kg	lb	kg	lb	cm	in	
UPTIRPS230	5.1	11	5.2	11.5	-	-	-
UPTJBUL	1.2	2.6	1.5	3.3	-	-	-
UPTHT1	0.1	0.2	0.2	0.4	9.5x13.5x19.5	0.4x0.5x0.8	-
UPTHT2	0.2	0.4	0.3	0.7	9.5x13.5x19.5	0.4x0.5x0.8	-
UPTWBA	3.1	6.8	3.5	7.7	19.0x16.0x60.0	7.5x6.3x23.6	-
UPTWBTA	1.3	2.9	1.6	3.5	19.0x19.0x19.0	7.5x7.5x7.5	12
UPTWAS01C	5.0	11.0	6.5	14.3	37.5x31.0x79.0	14.7x12.2x31.1	-
UPTWAS02C	5.0	11.0	6.5	14.3	37.5x31.0x79.0	14.7x12.3x31.1	-
UPTWASA01C	13.5	29.8	15.5	34.2	35.5x45.0x80.0	14.0x17.7x31.5	-

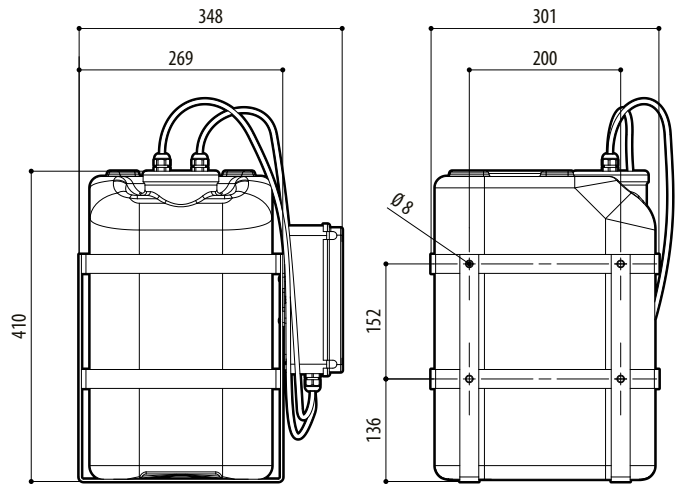
ULISSE SUPPORTS AND ACCESSORIES



UPTWBA



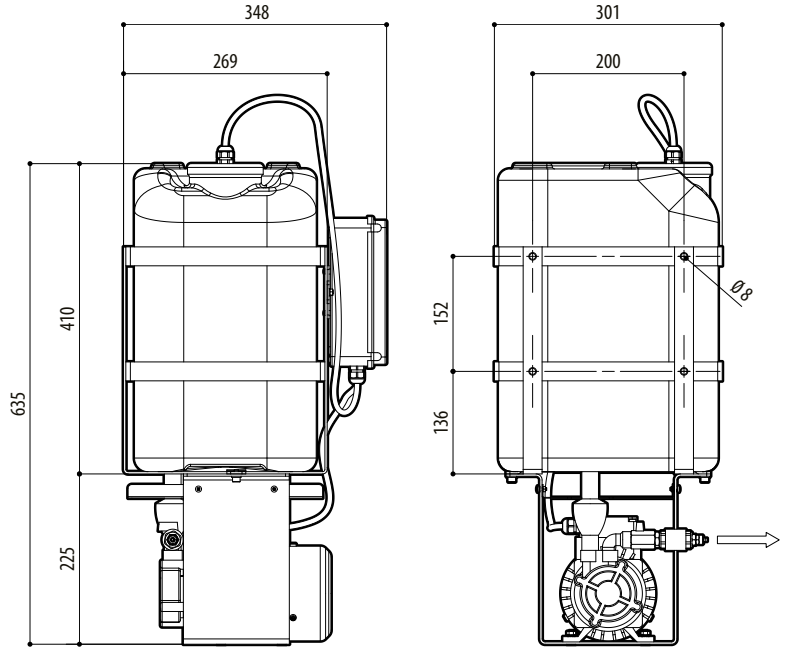
UPTWBTA



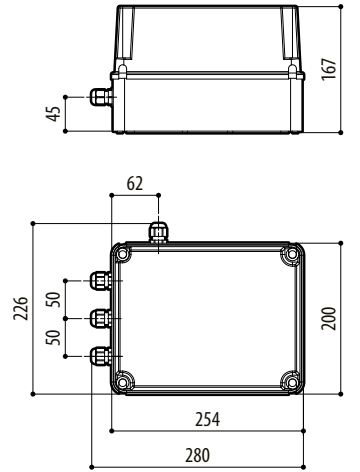
UPTWAS01C

mm 1:10

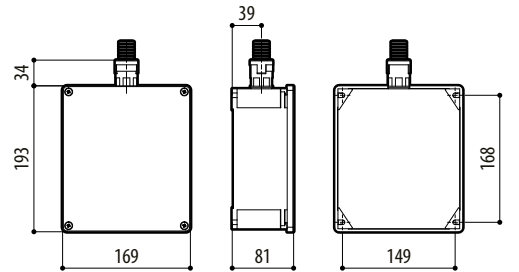
ULISSE SUPPORTS AND ACCESSORIES



UPTWASA01C



UPTIRPS230



UPTJBUL

mm 1:10